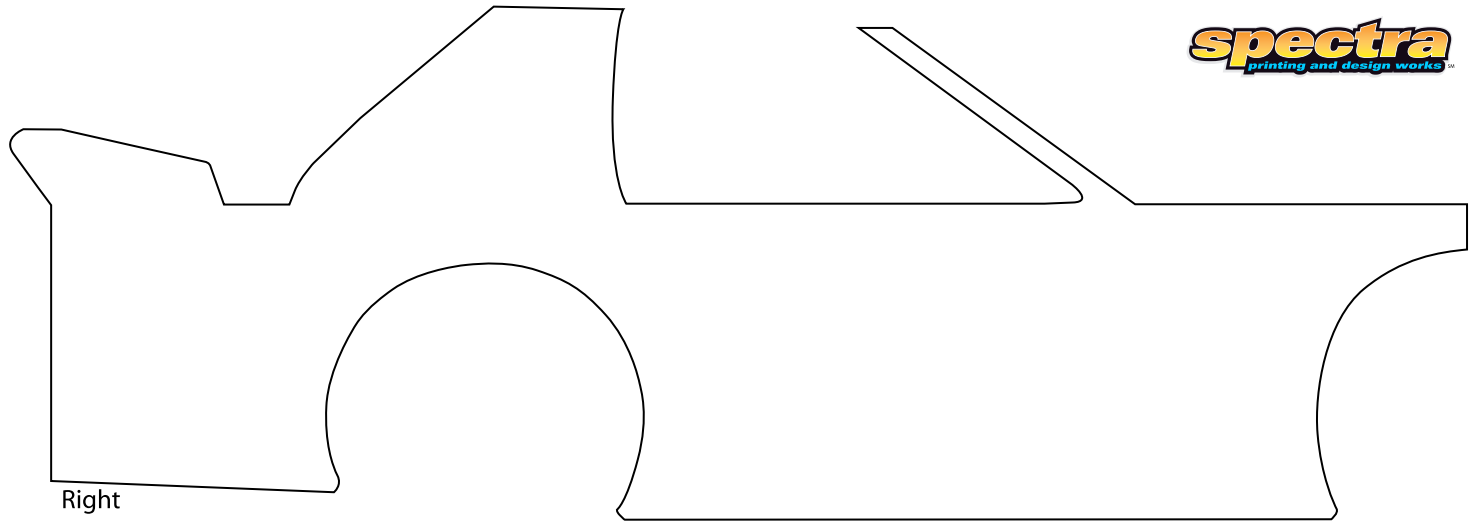
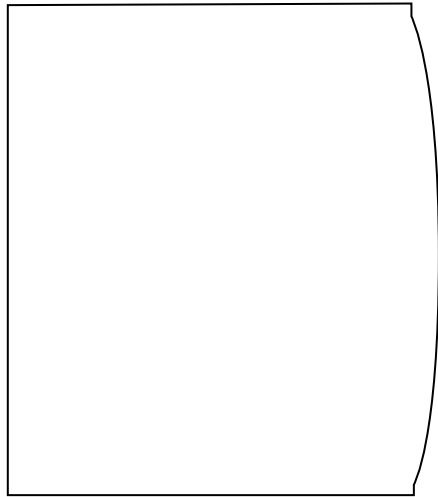


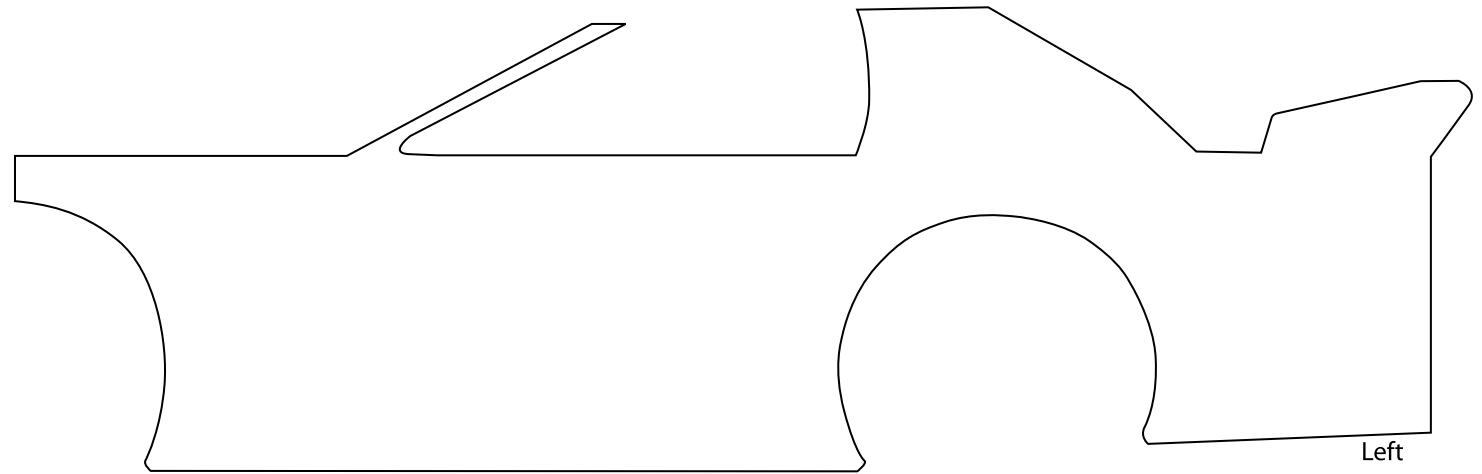
Hood and Filler



Right



Roof



Left

---

---

---

---

---

---

---

Instructions: Please specify the color for each section of your body. Indicate your desired logo placement. Specify the logo artwork (if any) you will be supplying print ready artwork for. Sketch out your ideas as simply or as specific as you want. You can then submit your design sheet by e-mail as a scanned jpg or .pdf